

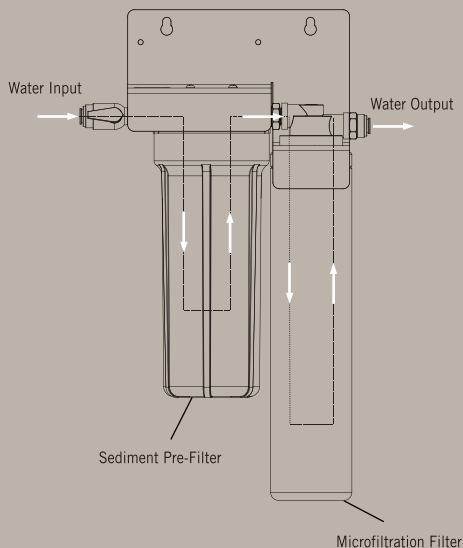
Water Filtration System

Our new 35,000 gallon high capacity bacteria filter removes bacteria and sediment from your drinking water. It also effectively reduces odor, taste and chlorine. Your water will be healthier and better tasting too!

NEW!
WSP35000



How it works



Features + Benefits

- Offers up to 10x the capacity of standard bacteria filters, making it perfect for high-traffic areas
- Includes sediment pre-filter with a nominal grade of 10 microns, prolonging the life of your filtration system
- Uses carbon-block technology and a filter membrane to remove the following through microfiltration:
 - bacteria and total coliforms
 - odor
 - taste
 - chlorine
- This system complies with the Official Mexican Norm NOM-244-SSA1-2008 and was tested by a third party laboratory authorized by COFEPRIS.



Tradition.Vision.Conviction.

Elkay was founded as a small sink manufacturing company on the North side of Chicago. We have grown significantly from these humble beginnings, but our dedication to making innovative products and exceptional customer service remains the same. Today, Elkay is a leading manufacturer of stainless steel sinks, faucets, water coolers, drinking fountains and bottle filling stations, delivering unprecedented levels of style and function to plumbing professionals. We are driven by core values that have evolved since 1920, values that are reflected in every product we manufacture, and our conviction to provide total satisfaction to every customer, every day. American Pride. Family Owned. A Lifetime Tradition. Like your family, the Elkay family has values and traditions that endure. For almost a century, Elkay has been an American-owned and operated company, providing thousands of jobs that support our families and communities. We are proud to say ELKAY USA.

Contact Information:
International Customer Care
Phone: +1 630-575-4755
Email: IntlCare@Elkay.com
Elkay.com/international



INTL-4741